

Алматы (7273)495-231
Ангарск (3955)60-70-56
Архангельск (8182)63-90-72
Астрахань (8512)99-46-04
Барнаул (3852)73-04-60
Белгород (4722)40-23-64
Благовещенск (4162)22-76-07
Брянск (4832)59-03-52
Владивосток (423)249-28-31
Владикавказ (8672)28-90-48
Владимир (4922)49-43-18
Волгоград (844)278-03-48
Вологда (8172)26-41-59
Воронеж (473)204-51-73
Екатеринбург (343)384-55-89
Иваново (4932)77-34-06

Ижевск (3412)26-03-58
Иркутск (395)279-98-46
Казань (843)206-01-48
Калининград (4012)72-03-81
Калуга (4842)92-23-67
Кемерово (3842)65-04-62
Киров (8332)68-02-04
Коломна (4966)23-41-49
Кострома (4942)77-07-48
Краснодар (861)203-40-90
Красноярск (391)204-63-61
Курган (3522)50-90-47
Курск (4712)77-13-04
Липецк (4742)52-20-81
Магнитогорск (3519)55-03-13

Россия +7(495)268-04-70

Москва (495)268-04-70
Мурманск (8152)59-64-93
Набережные Челны (8552)20-53-41
Нижний Новгород (831)429-08-12
Новокузнецк (3843)20-46-81
Новосибирск (383)227-86-73
Ноябрьск (3496)41-32-12
Омск (3812)21-46-40
Орел (4862)44-53-42
Оренбург (3532)37-68-04
Пенза (8412)22-31-16
Пермь (342)205-81-47
Петрозаводск (8142)55-98-37
Псков (8112)59-10-37

Казахстан +7(7172)727-132

Ростов-на-Дону (863)308-18-15
Рязань (4912)46-61-64
Самара (846)206-03-16
Санкт-Петербург (812)309-46-40
Саранск (8342)22-96-24
Саратов (845)249-38-78
Севастополь (8692)22-31-93
Симферополь (3652)67-13-56
Смоленск (4812)29-41-54
Сочи (862)225-72-31
Ставрополь (8652)20-65-13
Сургут (3462)77-98-35
Сыктывкар (8212)25-95-17
Тамбов (4752)50-40-97

Киргизия +996(312)96-26-47

Тверь (4822)63-31-35
Тольятти (8482)63-91-07
Томск (3822)98-41-53
Тула (4872)33-79-87
Тюмень (3452)66-21-18
Улан-Удэ (3012)59-97-51
Ульяновск (8422)24-23-59
Уфа (347)229-48-12
Хабаровск (4212)92-98-04
Чебоксары (8352)28-53-07
Челябинск (351)202-03-61
Череповец (8202)49-02-64
Чита (3022)38-34-83
Якутск (4112)23-90-97
Ярославль (4852)69-52-93

akm@nt-rt.ru || <https://ametek.nt-rt.ru/>

LM6000 T4.8

AMETEK

POWER INSTRUMENTS

Exhaust Gas Temperature Thermocouples For All New and Existing LM6000 Gas Turbine Applications

The latest and most capable LM6000 gas turbine exhaust gas temperature (EGT) probe from AMETEK Power Instruments offers the longest possible life. Power Instruments is the original EGT probe supplier for CF6 aircraft engines, LM2500, LM5000, and LM6000 industrial gas turbines and now brings to market an EGT probe with new materials and a new design. The latest LM6000 T4.8 EGT thermocouple is OEM qualified and incorporates many improvements over any previous products. Materials are carefully selected to ensure long product life and superior performance. Specifically, a new single crystal alloy for the probe support significantly improves high temperature mechanical strength. In addition, the thermocouple sheath material increases high temperature oxidation and creep resistance. Best of all, Power Instruments' new T4.8 thermocouple is completely interchangeable so that it can be used on all LM6000 applications.

AMETEK Power Instruments is also the supplier of EGT cables for both LM2500 and LM6000 applications. In this role as a system provider, all thermocouple materials and processes enjoy consistent processing in our factory, which is controlled by Six Sigma manufacturing and calibration. The operator sees no boundaries - the entire EGT system is from the same responsible source with the same high quality product support.

Power Instruments supplies turbine sensors for the long haul. We are the original supplier for EGT sensing on all the LM engines, qualified for over thirty years. Contact us for all your LM thermocouple and cable needs.

FEATURES AND BENEFITS

1

Improved temperature mechanical strength and oxidation resistance ensures reliability and provides longer life

2

Maximum Temperature Capability

3

Longest Life

4

OEM Qualified - Ensures product meets all new OEM performance requirements

5

Gold Plated Threads - Prevents seizing between terminal studs and cable lugs

6

Pry Ring - Assists in removal

7

Patented Fast Time Response with Aspiration Flow Technique

8

Patented Vibration Resistance Design Features



SPECIFICATIONS

FUNCTIONAL SIGNAL OUTPUT

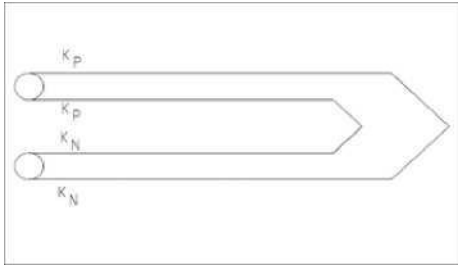
- Type K, Ungrounded, two junctions

HERMETIC SEAL

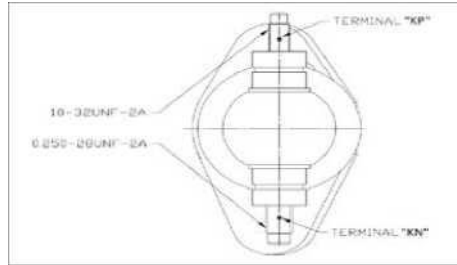
- 1×10^{-5} cc/sec for entire thermocouple

ENVIRONMENT

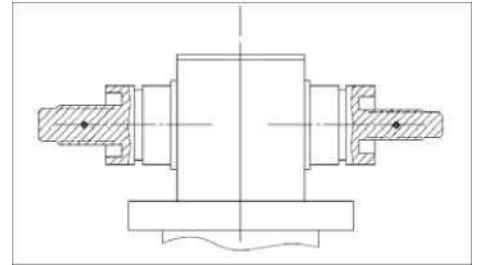
- -65° to 804°F (-54° to 428°C) at thermocouple junction box
- -65° to 2050°F (-54° to 1121°C) at thermocouple junctions
- 100% humidity for the entire thermocouple



Schematic



Terminal Top



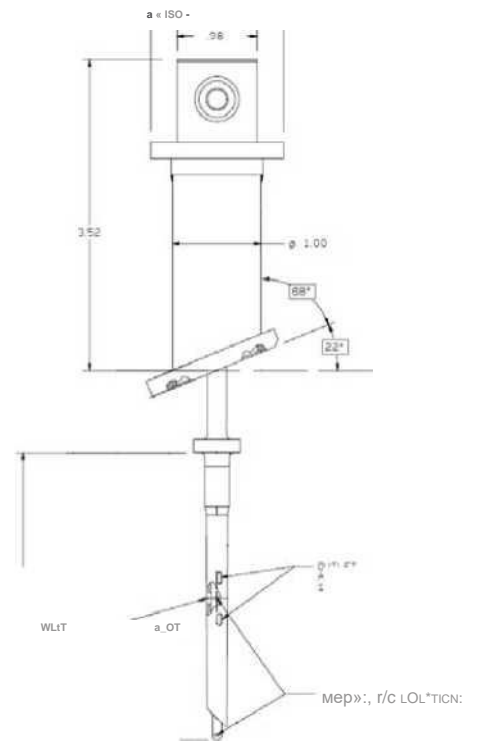
Terminals

Cross Reference List

GE Part Number	Weston Part Number	AMETEK Part Number
1691M81P08	862-1-13	8TC34ABY1
1696M81P10	862-3-15	8TC34ABW1
1696M81P13	862-7-19	8TC34ABY1
1696M86P01	N/A	8TC34ABW1
1962M86P02	N/A	8TC34ABY1

Overall Dimensions

AMETEK Power Instruments manufactures a full line of thermocouples, RTD's, cables and sensors for gas turbine applications. We are proud to work with OEMs to solve their challenging applications and look forward to working with you to help you address your temperature measurement needs.



AMETEK

POWER INSTRUMENTS

Алматы (7273)495-231
 Ангарск (3955)60-70-56
 Архангельск (8182)63-90-72
 Астрахань (8512)99-46-04
 Барнаул (3852)73-04-60
 Белгород (4722)40-23-64
 Благовещенск (4162)22-76-07
 Брянск (4832)59-03-52
 Владивосток (423)249-28-31
 Владикавказ (8672)28-90-48
 Владимир (4922)49-43-18
 Волгоград (844)278-03-48
 Вологда (8172)26-41-59
 Воронеж (473)204-51-73
 Екатеринбург (343)384-55-89
 Иваново (4932)77-34-06

Ижевск (3412)26-03-58
 Иркутск (395)279-98-46
 Казань (843)206-01-48
 Калининград (4012)72-03-81
 Калуга (4842)92-23-67
 Кемерово (3842)65-04-62
 Киров (8332)68-02-04
 Коломна (4966)23-41-49
 Кострома (4942)77-07-48
 Краснодар (861)203-40-90
 Красноярск (391)204-63-61
 Курган (3522)50-90-47
 Курск (4712)77-13-04
 Липецк (4742)52-20-81
 Магнитогорск (3519)55-03-13

Россия +7(495)268-04-70

Москва (495)268-04-70
 Мурманск (8152)59-64-93
 Набережные Челны (8552)20-53-41
 Нижний Новгород (831)429-08-12
 Новокузнецк (3843)20-46-81
 Новосибирск (383)227-86-73
 Ноябрьск (3496)41-32-12
 Омск (3812)21-46-40
 Орел (4862)44-53-42
 Оренбург (3532)37-68-04
 Пенза (8412)22-31-16
 Пермь (342)205-81-47
 Петрозаводск (8142)55-98-37
 Псков (8112)59-10-37

Казахстан +7(7172)727-132

Ростов-на-Дону (863)308-18-15
 Рязань (4912)46-61-64
 Самара (846)206-03-16
 Санкт-Петербург (812)309-46-40
 Саранск (8342)22-96-24
 Саратов (845)249-38-78
 Севастополь (8692)22-31-93
 Симферополь (3652)67-13-56
 Смоленск (4812)29-41-54
 Сочи (862)225-72-31
 Ставрополь (8652)20-65-13
 Сургут (3462)77-98-35
 Сыктывкар (8212)25-95-17
 Тамбов (4752)50-40-97

Киргизия +996(312)96-26-47

Тверь (4822)63-31-35
 Тольятти (8482)63-91-07
 Томск (3822)98-41-53
 Тула (4872)33-79-87
 Тюмень (3452)66-21-18
 Улан-Удэ (3012)59-97-51
 Ульяновск (8422)24-23-59
 Уфа (347)229-48-12
 Хабаровск (4212)92-98-04
 Чебоксары (8352)28-53-07
 Челябинск (351)202-03-61
 Череповец (8202)49-02-64
 Чита (3022)38-34-83
 Якутск (4112)23-90-97
 Ярославль (4852)69-52-93