

Алматы (7273)495-231  
 Ангарск (3955)60-70-56  
 Архангельск (8182)63-90-72  
 Астрахань (8512)99-46-04  
 Барнаул (3852)73-04-60  
 Белгород (4722)40-23-64  
 Благовещенск (4162)22-76-07  
 Брянск (4832)59-03-52  
 Владивосток (423)249-28-31  
 Владикавказ (8672)28-90-48  
 Владимир (4922)49-43-18  
 Волгоград (844)278-03-48  
 Вологда (8172)26-41-59  
 Воронеж (473)204-51-73  
 Екатеринбург (343)384-55-89  
 Иваново (4932)77-34-06

Ижевск (3412)26-03-58  
 Иркутск (395)279-98-46  
 Казань (843)206-01-48  
 Калининград (4012)72-03-81  
 Калуга (4842)92-23-67  
 Кемерово (3842)65-04-62  
 Киров (8332)68-02-04  
 Коломна (4966)23-41-49  
 Кострома (4942)77-07-48  
 Краснодар (861)203-40-90  
 Красноярск (391)204-63-61  
 Курган (3522)50-90-47  
 Курск (4712)77-13-04  
 Липецк (4742)52-20-81  
 Магнитогорск (3519)55-03-13

Москва (495)268-04-70  
 Мурманск (8152)59-64-93  
 Набережные Челны (8552)20-53-41  
 Нижний Новгород (831)429-08-12  
 Новокузнецк (3843)20-46-81  
 Новосибирск (383)227-86-73  
 Ноябрьск (3496)41-32-12  
 Омск (3812)21-46-40  
 Орел (4862)44-53-42  
 Оренбург (3532)37-68-04  
 Пенза (8412)22-31-16  
 Пермь (342)205-81-47  
 Петрозаводск (8142)55-98-37  
 Псков (8112)59-10-37

Ростов-на-Дону (863)308-18-15  
 Рязань (4912)46-61-64  
 Самара (846)206-03-16  
 Санкт-Петербург (812)309-46-40  
 Саранск (8342)22-96-24  
 Саратов (845)249-38-78  
 Севастополь (8692)22-31-93  
 Симферополь (3652)67-13-56  
 Смоленск (4812)29-41-54  
 Сочи (862)225-72-31  
 Ставрополь (8652)20-65-13  
 Сургут (3462)77-98-35  
 Сыктывкар (8212)25-95-17  
 Тамбов (4752)50-40-97

Тверь (4822)63-31-35  
 Тольятти (8482)63-91-07  
 Томск (3822)98-41-53  
 Тула (4872)33-79-87  
 Тюмень (3452)66-21-18  
 Улан-Удэ (3012)59-97-51  
 Ульяновск (8422)24-23-59  
 Уфа (347)229-48-12  
 Хабаровск (4212)92-98-04  
 Чебоксары (8352)28-53-07  
 Челябинск (351)202-03-61  
 Череповец (8202)49-02-64  
 Чита (3022)38-34-83  
 Якутск (4112)23-90-97  
 Ярославль (4852)69-52-93

Россия +7(495)268-04-70

Казахстан +7(7172)727-132

Киргизия +996(312)96-26-47

akm@nt-rt.ru || <https://ametek.nt-rt.ru/>

## T5.4 Individual Exhaust Gas Thermocouple and Cable System

### For LM2500, LM2500+ and LM5000 Gas Turbines



AMETEK Power Instruments' EGT Probe System, AMETEK P/N 8TC34BAG1, GE P/N L44830P01 and AMETEK P/N 8TC37ABJ1, GE P/N L44830P03, are designed for use on the LM2500 and LM5000 family of gas turbines. Exhaust gas temperatures are measured using a combination of individual thermocouples mated to a flexible harness assembly, eliminating the need for rigid harness systems. Operators and overhaul facilities can replace a single probe without removing a full harness quadrant or affecting other serviceable system components. This results in lower component and maintenance costs and shorter turbine downtime cycles.

The Individual EGT System incorporates a combination of AMETEK Power Instruments thermocouple designs that are currently qualified and operating on production gas turbines. Our probe design is identical to the design presently operating on production LM2500 and LM5000 turbines, while its junction box is identical to that utilized on other industrial and aerospace turbine thermocouples.

AMETEK Power Instruments can provide either averaging or individual mating cables. The averaging cables mimic the output of the rigid harness system whereas the individual cables provide a separate output for each of the 11 thermocouples. This flexibility enables the operator to select the measurement that best captures turbine performance.

Since October 1993, AMETEK Power Instruments' individual Probe Systems have entered field service at numerous operator sites. The system has accumulated over 1 million hours of trouble-free operation, and it continues to demonstrate the quality and performance of the AMETEK Power Instruments' design.

#### FEATURES AND BENEFITS

- 1 Utilizes AMETEK Power Instruments' designs presently operating on LM2500, LM2500+ and LM5000 gas turbines
- 2 OEM Qualified through GE, P/N L44830P01, L44830P03
- 3 Eliminates the need for rigid thermocouple quadrants
- 4 Replacement of single probes results in lower component and maintenance costs and shorter turbine downtime cycles
- 5 Reduction in needed spare parts to support your engine



**AMETEK**  
 POWER INSTRUMENTS

# SPECIFICATIONS

## THERMOCOUPLE PROBE ASSEMBLY

### TEMPERATURE RANGE

- -65° to 1,875° F (-54° to 1,023° C)

### ACCURACY

- ± 4° to 530° F (2.2° to 277° C);  
0.75% above 530° F (277° C)

### TIME RESPONSE

- < 4 sec. for temperature change from 1,400° to 1,500° F (760° to 816° C) at 6 lb./sec./sq. ft.

### OUTPUT

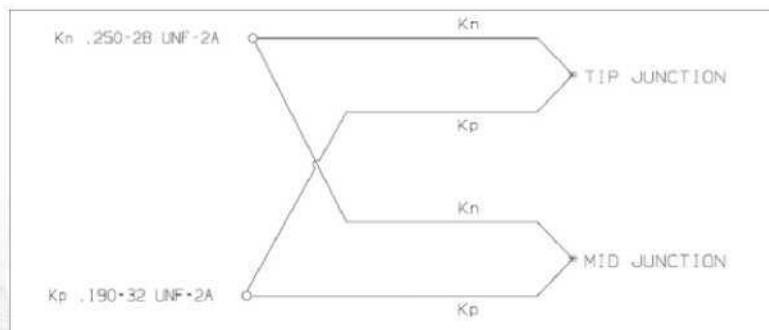
- Type K (millivolts)

### VIBRATION

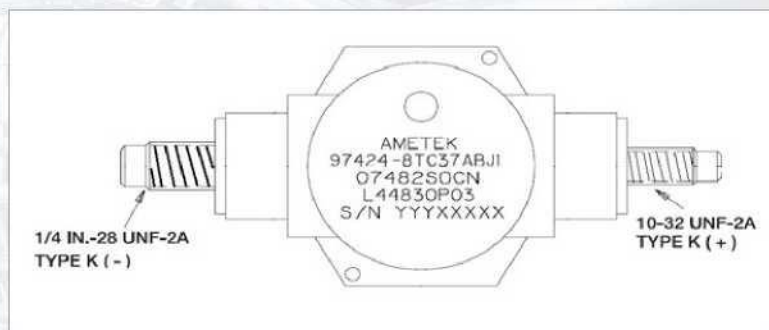
- 12 Gs

### LEAK-PROOF

- Hermetically sealed



Wiring Diagram



Probe Connections

## FLEXIBLE CABLE ASSEMBLY

### CONDUCTOR

- 17 gage thermocouple grade material, Type K (+ and -)

### OUTER JACKET

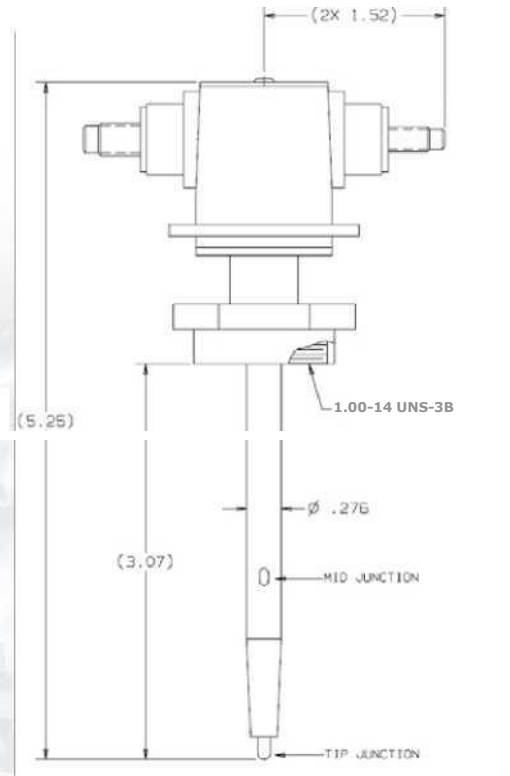
- 34 gauge stainless steel braid

### OPERATING TEMPERATURE

- To 1,000° F (538° C)

### INSULATION

- Multi-Layer System:
  - Primary Insulation: Mica Tape
  - Secondary Insulation: Refrasil Braid, E Type Fiberglass



Overall Dimensions of 8TC37ABJ1

# AMETEK

## POWER INSTRUMENTS

Алматы (7273)495-231  
Ангарск (3955)60-70-56  
Архангельск (8182)63-90-72  
Астрахань (8512)99-46-04  
Барнаул (3852)73-04-60  
Белгород (4722)40-23-64  
Благовещенск (4162)22-76-07  
Брянск (4832)59-03-52  
Владивосток (423)249-28-31  
Владикавказ (8672)28-90-48  
Владимир (4922)49-43-18  
Волгоград (844)278-03-48  
Вологда (8172)26-41-59  
Воронеж (473)204-51-73  
Екатеринбург (343)384-55-89  
Иваново (4932)77-34-06

Ижевск (3412)26-03-58  
Иркутск (395)279-98-46  
Казань (843)206-01-48  
Калининград (4012)72-03-81  
Калуга (4842)92-23-67  
Кемерово (3842)65-04-62  
Киров (8332)68-02-04  
Коломна (4966)23-41-49  
Кострома (4942)77-07-48  
Краснодар (861)203-40-90  
Красноярск (391)204-63-61  
Курган (3522)50-90-47  
Курск (4712)77-13-04  
Липецк (4742)52-20-81  
Магнитогорск (3519)55-03-13

Россия +7(495)268-04-70

Москва (495)268-04-70  
Мурманск (8152)59-64-93  
Набережные Челны (8552)20-53-41  
Нижний Новгород (831)429-08-12  
Новокузнецк (3843)20-46-81  
Новосибирск (383)227-86-73  
Ноябрьск (3496)41-32-12  
Омск (3812)21-46-40  
Орел (4862)44-53-42  
Оренбург (3532)37-68-04  
Пенза (8412)22-31-16  
Пермь (342)205-81-47  
Петрозаводск (8142)55-98-37  
Псков (8112)59-10-37

Казахстан +7(7172)727-132

Ростов-на-Дону (863)308-18-15  
Рязань (4912)46-61-64  
Самара (846)206-03-16  
Санкт-Петербург (812)309-46-40  
Саранск (8342)22-96-24  
Саратов (845)249-38-78  
Севастополь (8692)22-31-93  
Симферополь (3652)67-13-56  
Смоленск (4812)29-41-54  
Сочи (862)225-72-31  
Ставрополь (8652)20-65-13  
Сургут (3462)77-98-35  
Сыктывкар (8212)25-95-17  
Тамбов (4752)50-40-97

Киргизия +996(312)96-26-47

Тверь (4822)63-31-35  
Тольятти (8482)63-91-07  
Томск (3822)98-41-53  
Тула (4872)33-79-87  
Тюмень (3452)66-21-18  
Улан-Удэ (3012)59-97-51  
Ульяновск (8422)24-23-59  
Уфа (347)229-48-12  
Хабаровск (4212)92-98-04  
Чебоксары (8352)28-53-07  
Челябинск (351)202-03-61  
Череповец (8202)49-02-64  
Чита (3022)38-34-83  
Якутск (4112)23-90-97  
Ярославль (4852)69-52-93