

Алматы (7273)495-231  
Ангарск (3955)60-70-56  
Архангельск (8182)63-90-72  
Астрахань (8512)99-46-04  
Барнаул (3852)73-04-60  
Белгород (4722)40-23-64  
Благовещенск (4162)22-76-07  
Брянск (4832)59-03-52  
Владивосток (423)249-28-31  
Владикавказ (8672)28-90-48  
Владимир (4922)49-43-18  
Волгоград (844)278-03-48  
Вологда (8172)26-41-59  
Воронеж (473)204-51-73  
Екатеринбург (343)384-55-89  
Иваново (4932)77-34-06

Ижевск (3412)26-03-58  
Иркутск (395)279-98-46  
Казань (843)206-01-48  
Калининград (4012)72-03-81  
Калуга (4842)92-23-67  
Кемерово (3842)65-04-62  
Киров (8332)68-02-04  
Коломна (4966)23-41-49  
Кострома (4942)77-07-48  
Краснодар (861)203-40-90  
Красноярск (391)204-63-61  
Курган (3522)50-90-47  
Курск (4712)77-13-04  
Липецк (4742)52-20-81  
Магнитогорск (3519)55-03-13

Россия +7(495)268-04-70

Москва (495)268-04-70  
Мурманск (8152)59-64-93  
Набережные Челны (8552)20-53-41  
Нижний Новгород (831)429-08-12  
Новокузнецк (3843)20-46-81  
Новосибирск (383)227-86-73  
Ноябрьск (3496)41-32-12  
Омск (3812)21-46-40  
Орел (4862)44-53-42  
Оренбург (3532)37-68-04  
Пенза (8412)22-31-16  
Пермь (342)205-81-47  
Петрозаводск (8142)55-98-37  
Псков (8112)59-10-37

Казахстан +7(7172)727-132

Ростов-на-Дону (863)308-18-15  
Рязань (4912)46-61-64  
Самара (846)206-03-16  
Санкт-Петербург (812)309-46-40  
Саранск (8342)22-96-24  
Саратов (845)249-38-78  
Севастополь (8692)22-31-93  
Симферополь (3652)67-13-56  
Смоленск (4812)29-41-54  
Сочи (862)225-72-31  
Ставрополь (8652)20-65-13  
Сургут (3462)77-98-35  
Сыктывкар (8212)25-95-17  
Тамбов (4752)50-40-97

Киргизия +996(312)96-26-47

Тверь (4822)63-31-35  
Тольятти (8482)63-91-07  
Томск (3822)98-41-53  
Тула (4872)33-79-87  
Тюмень (3452)66-21-18  
Улан-Удэ (3012)59-97-51  
Ульяновск (8422)24-23-59  
Уфа (347)229-48-12  
Хабаровск (4212)92-98-04  
Чебоксары (8352)28-53-07  
Челябинск (351)202-03-61  
Череповец (8202)49-02-64  
Чита (3022)38-34-83  
Якутск (4112)23-90-97  
Ярославль (4852)69-52-93

akm@nt-rt.ru || <https://ametek.nt-rt.ru/>

# ET-1200 Trip Alarms

## AC Current/Voltage Alarms

- AC current/voltage input
- Single or dual trips
- Fixed deadband
- Conforms to IEEE SWC Test

Available Models:

ET-1200 L/U Single trip AC current/voltage alarm  
ET-1202 L/U Dual trip AC current/voltage alarm  
ET-1205 Dual trip thermocouple/millivolt alarm  
ET-1208 Single trip thermocouple/millivolt alarm, adjustable deadband  
ET-1214 Single trip DC current/voltage alarm  
ET-1215 Dual trip DC current/voltage alarm  
ET-1218 Single trip DC current/voltage alarm, adjustable deadband  
ET-1219 Dual trip DC current/voltage alarm, adjustable deadband  
ET-1228 Single trip DC current/voltage deviation alarm, adjustable, deadband  
ET-1234 Failsafe single trip DC current/voltage alarm  
ET-1235 Failsafe dual trip DC current/voltage alarm  
ET-1275 Dual trip RTD alarm  
ET-1278 Single Trip RTD alarm, adjustable deadband

These single and dual trip alarms accept AC current or voltage inputs (field alterable) and provide one DPDT 5 amp (ET-1200L/U or two SPDT 5 amp (ET-1202L/U) universal relay contact outputs. Basic input spans are 16 to 200 VAC or 0-1 to 0-7.5 amps.

All models come with fixed deadband less than 0.5% of span. Response time is less than 400 milliseconds. The frequency range of all models is 50-500 Hz. Series 1200 ac current/voltage alarms conform to the IEEE SWC test.

### Specifications

#### Inputs:

- Any AC current from 0-1 amp to 0-7.5 amps AC, burden less than 0.5 VA
- Any AC voltage from 0-16 to 0-200 VAC signal, burden less than 1.5 VA

**Input Frequency Range:** 50-500 Hz

#### Input Surge Capability:

AC Current: 20 amps continuous; 250 amps for 1 second per hour  
AC voltage: 200% of input specified, continuous

**Deadband:** Fixed deadband; less than 0.5% of span

# AMETEK

POWER INSTRUMENTS



#### Outputs:

- single relay: one DPDT contact rated 5 A at 30 VDC; 5A at 250 VAC resistive
- dual relay: two SPDT contacts rated 5 A at 30 VDC; 5 A at 250 VAC resistive
- standard LED: alarm display to indicate trip condition

#### Optional Outputs:

- contacts rated at 10 A at 28 VDC or 115 VAC resistive (T10 option); not available on the P-11 enclosure; uses dual slot on the A-12 enclosure
- environmentally-sealed contacts rated 2 A at 30 VDC or 115 VAC resistive (D option)

**Repeatability:**  $\pm 0.1\%$  of span, maximum

**Response Time:** Less than 400 milliseconds

# AMETEK

## Signal Conditioning

### Controls:

ET-1200L/U: Multiturn trip-set potentiometers with clockwise rotation to increase setting

ET-1202L/U: Two multiturn trip-set potentiometers with clockwise rotation to increase setting

**Trip Set Adjustment:** 0-100% continuous, independent adjustment per trip-set point by infinite resolution potentiometer

### Trip Point Stability and Drift:

For 25° to 125°F (-4° to 52°C): ±0.5% of span maximum for a 50°F (28°C) change in ambient temperature; ±0.2% typical

### LED Visual Indication of Alarm Condition:

ET-1200L/U: One  
ET-1202L/U: Two

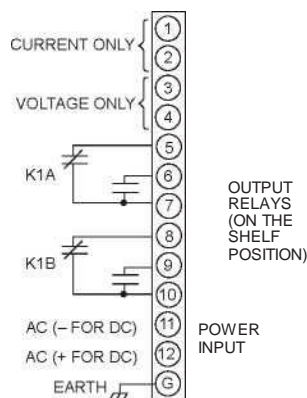
**Relay Action:** Specify normally energized (failsafe) or de-energized (non-failsafe)

ET-1200L/U: Hi Trip or Lo Trip  
ET-1202L/U: Hi/Lo Trip, Lo/Hi Trip, Hi/Hi Trip or Lo/Lo Trip

### ET-1200L/U and ET-1202L/U

#### Connections

##### ET-1200L/U



### Ambient Temperature Range:

0° to 140°F (-18° to 60°C)

### Operating Power Supplies:

- 115 VAC ±20%, 50/60 Hz 5 watts (standard)
- 24 VDC +20%-15%, 3.5 watts, H suffix (non-isolated)
- 230 VAC ±20%, 50/60 Hz, 5 watts (H2 suffix)
- 115 VAC ± 10%, 60 Hz, 5 watts (H3 suffix; P-11 or A-12 option)
- 115 VAC ± 10%, 50/60 Hz, 5 watts (H4 suffix; P-11 or A-12 option)
- 230 VAC ± 10%, 50/60 Hz, 5 watts (H5 suffix; P-11 or A-12 option)
- 24 VDC ±20%, 4.5 watts (I suffix; isolated)
- 48 VDC ±20%, 5 watts (I1 suffix; isolated)
- Refer to Option section for a complete list of options for each model.

**Power Supply Effect:** ±0.15% for specified power variation

**Isolation:** 600 VAC or 1000 VDC input/output/power for the AC or isolated DC power version

**Net Weight:** 3.4 lbs (1.54 kg) approximate

### Enclosures:

- single unit surface mount (standard)
- A-12, high-density, 19" rack or surface mount with front access terminal blocks; units with AC input require 2 slots
- NEMA 4 and 12, from one to 24 units
- explosion-proof single unit; FM approved for Class 1, Division 1, Groups C and D
- Refer to Options section for a complete list of options for each model

### Agency Approvals:

FM approved for ordinary locations and hazardous locations Divisions 1 and 2, Class I, Groups C & D; Class II, Groups E, F & G. Ametek explosion-proof housing required for hazardous locations.

### Ordering Information:

refer to pages 7.38, 7.39

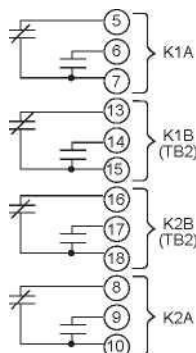
### Dimensions:

refer to page 7.40

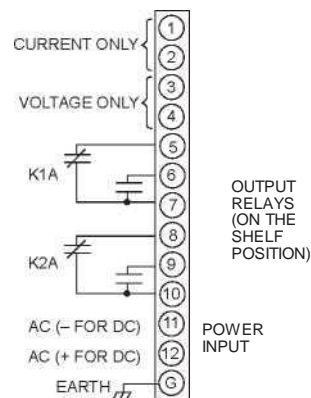
# AMETEK

## POWER INSTRUMENTS

##### T2 Option ET-1200 L/U only



##### ET-1202L/U



Алматы (7273)495-231  
Ангарск (3955)60-70-56  
Архангельск (8182)63-90-72  
Астрахань (8512)99-46-04  
Барнаул (3852)73-04-60  
Белгород (4722)40-23-64  
Благовещенск (4162)22-76-07  
Брянск (4832)59-03-52  
Владивосток (423)249-28-31  
Владикавказ (8672)28-90-48  
Владимир (4922)49-43-18  
Волгоград (844)278-03-48  
Вологда (8172)26-41-59  
Воронеж (473)204-51-73  
Екатеринбург (343)384-55-89  
Иваново (4932)77-34-06

Ижевск (3412)26-03-58  
Иркутск (395)279-98-46  
Казань (843)206-01-48  
Калининград (4012)72-03-81  
Калуга (4842)92-23-67  
Кемерово (3842)65-04-62  
Киров (8332)68-02-04  
Коломна (4966)23-41-49  
Кострома (4942)77-07-48  
Краснодар (861)203-40-90  
Красноярск (391)204-63-61  
Курган (3522)50-90-47  
Курск (4712)77-13-04  
Липецк (4742)52-20-81  
Магнитогорск (3519)55-03-13

Россия +7(495)268-04-70

Москва (495)268-04-70  
Мурманск (8152)59-64-93  
Набережные Челны (8552)20-53-41  
Нижний Новгород (831)429-08-12  
Новокузнецк (3843)20-46-81  
Новосибирск (383)227-86-73  
Ноябрьск (3496)41-32-12  
Омск (3812)21-46-40  
Орел (4862)44-53-42  
Оренбург (3532)37-68-04  
Пенза (8412)22-31-16  
Пермь (342)205-81-47  
Петрозаводск (8142)55-98-37  
Псков (8112)59-10-37

Казахстан +7(7172)727-132

Ростов-на-Дону (863)308-18-15  
Рязань (4912)46-61-64  
Самара (846)206-03-16  
Санкт-Петербург (812)309-46-40  
Саранск (8342)22-96-24  
Саратов (845)249-38-78  
Севастополь (8692)22-31-93  
Симферополь (3652)67-13-56  
Смоленск (4812)29-41-54  
Сочи (862)225-72-31  
Ставрополь (8652)20-65-13  
Сургут (3462)77-98-35  
Сыктывкар (8212)25-95-17  
Тамбов (4752)50-40-97

Киргизия +996(312)96-26-47

Тверь (4822)63-31-35  
Тольятти (8482)63-91-07  
Томск (3822)98-41-53  
Тула (4872)33-79-87  
Тюмень (3452)66-21-18  
Улан-Удэ (3012)59-97-51  
Ульяновск (8422)24-23-59  
Уфа (347)229-48-12  
Хабаровск (4212)92-98-04  
Чебоксары (8352)28-53-07  
Челябинск (351)202-03-61  
Череповец (8202)49-02-64  
Чита (3022)38-34-83  
Якутск (4112)23-90-97  
Ярославль (4852)69-52-93